

PRODUCT CODE: EWS10
SWITCH & SOCKET BOX



DESCRIPTION

16mm Extension Switch & Socket Box

FINISH

Pre Galvanised

MATERIAL

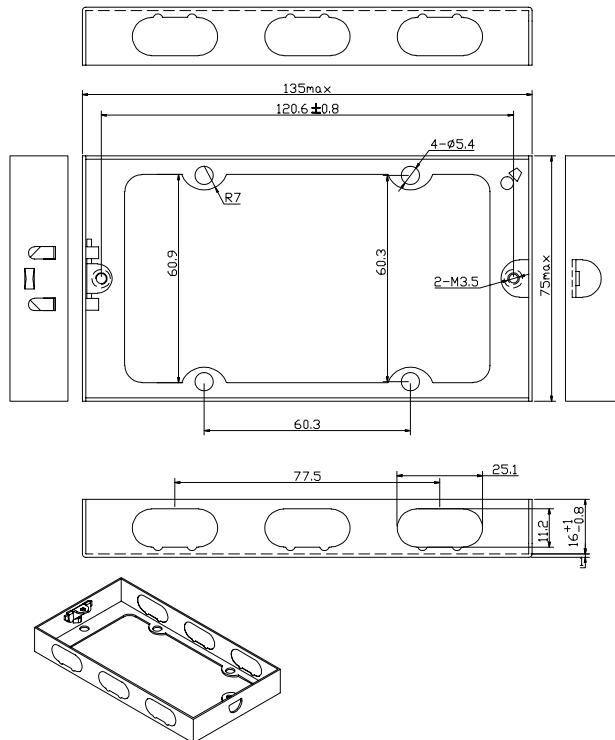
Sheet steel to comply with BS4662

PACKAGING

Packed in qty 10

ADDITIONAL NOTES

1 fixed lug, 1 adjustable lug and 6 x oval knockouts
Compliant to BS4662 & LU Standard 1-085 (for use on surface & sub-surface locations)



Values are nominal and with a general tolerance $\pm 5\%$ unless otherwise specified